



Motor Mounted Rotary Vane 1.2 to 2.6 cfm

Oiless 2032, 3032 Series



MODEL 2032 SERIES

26" HG MAX. VAC., 1.2 OR 2.4 CFM OPEN FLOW
10 PSI MAX. PRESSURE

MODEL 3032 SERIES

26.5" HG MAX. VAC., 1.3 OR 2.6 CFM OPEN FLOW
10 PSI MAX. PRESSURE



Units shown without
sound attenuator.

PRODUCT FEATURES

- Oilless, pulse-free operation
- Motor mounted
- Low noise levels

INCLUDES

- Low and high speed motor options
- Internal sound suppression/filtration
- Thermotector (on all AC Models)
- Capacitor (unattached)
- Motor controls on 24V BLDC (unattached)
- Sound attenuator AK840A (unattached)

RECOMMENDED ACCESSORIES

- Vacuum relief valve AA204, AA207, or AA840A
- Vacuum gauge AA640
- Pressure relief valve AA600 or AA203
- Pressure gauge AA6444B
- Repair kit K442A (2032), K554 (3032)

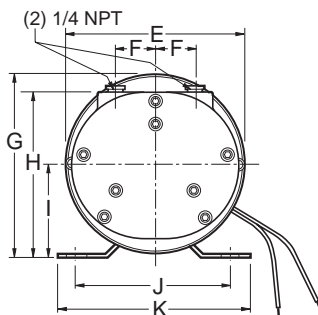
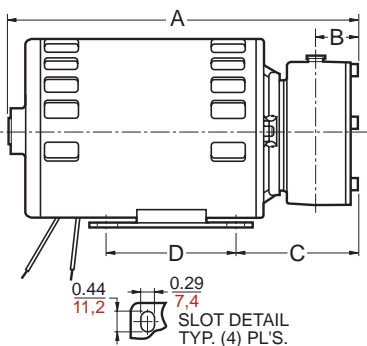
Product Dimensions (mm, inches)

Model	A	B	C	D	E	F	G	H	I	J	K
2032 low speed	210,6	23,6	66,5	71,6	98,0	22,4	101,6	91,4	52,6	85,9	106,4
2032 low speed	8.29	.93	2.62	2.82	3.86	.88	4.00	3.60	2.07	3.38	4.19
2032 high speed	192,3	23,6	66,5	71,6	98,0	22,4	101,6	91,4	52,6	85,9	106,4
2032 high speed	7.57	.93	2.62	2.82	3.86	.88	4.00	3.60	2.07	3.38	4.19
2032 24V BLDC	182,9	23,6	40,1	76,2	91,9	22,4	102,6	91,2	52,6	66,8	89,4
2032 24V BLDC	7.20	.93	1.58	3.00	3.62	.88	4.04	3.59	2.07	2.63	3.52
2032 12V DC	201,7	23,6	58,4	71,6	99,6	22,4	103,1	90,9	52,3	85,8	106,4
2032 12V DC	7.94	.93	2.30	2.82	3.92	.88	4.06	3.58	2.06	3.38	4.19
3032 low speed	175,3	26,4	69,9	71,6	98,0	22,4	101,6	93,7	52,6	85,8	104,6
3032 low speed	6.90	1.04	2.75	2.82	3.86	.88	4.00	3.69	2.07	3.38	4.12
3032 high speed	179,8	26,4	69,9	71,6	98,0	22,4	101,6	93,7	52,6	85,8	104,6
3032 high speed	7.08	1.04	2.75	2.82	3.86	.88	4.00	3.69	2.07	3.38	4.12

Dimensions are for reference only.

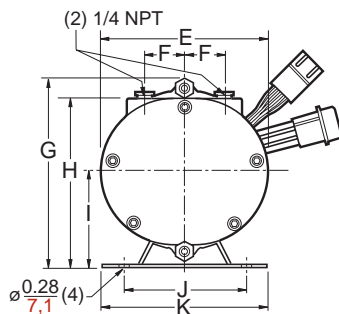
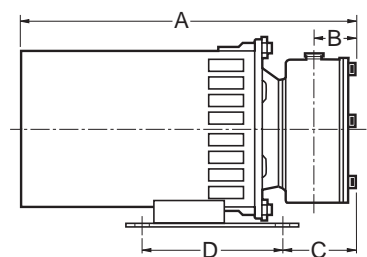
Note: Sound attenuator adds approximately 1.25" (31,8 mm) to dimension H.

Models 2032, 3032



Model 2032 24V BLDC

Motor controls not shown.



Product Specifications

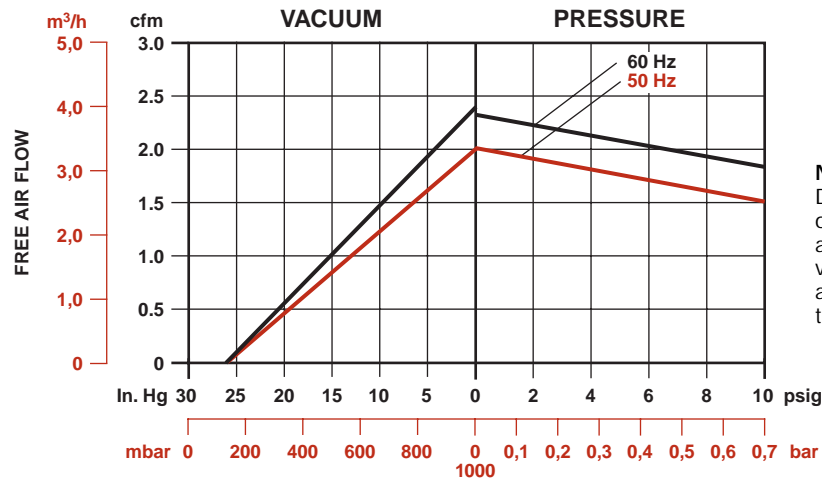
Note: All models listed can be used as either a vacuum pump or compressor.

Model Number	Motor	RPM		HP	kW	Thermotector	Net Wt.	
		60 cycle	50 cycle				lbs.	kg
2032-101-G615X	100-110/100-115-50/60-1	3450	2850	1/8	0,09	•	9	4,1
2032-101-G616X	220-240/230-50/60-1	3450	2850	1/8	0,09	•	9	4,1
2032-101-G644	24V BLDC	variable		1/8	0,09		9	4,1
2032-101-G617	12V	3000		1/8	0,09		10	4,5
3032-101-G594X	220-240/230-50/60-1	1725	1425	1/6	0,12	•	10	4,5
3032-101-G609X	100-110/100-115-50/60-1	3450	2850	1/6	0,12	•	10	4,5
3032-701-RM112*	220/240-50-1	—	2850	1/6	0,12	•	10	4,5

*Available only in Europe.

Product Performance (Metric, U.S.)

Model 2032



Note:
DC models can achieve open flows between 1.25 and 1.85 cfm depending on varying rpm. Max. vacuum and pressure is comparable to AC models.

Model 3032

