



AC Motor



DC Motor

## R1 SERIES

MODELS R1102, R1102C, R1102K

**MAX. PRESSURE – 28.5"H<sub>2</sub>O (60 Hz), 21"H<sub>2</sub>O (50 Hz)**

**MAX. VACUUM – 26.5"H<sub>2</sub>O (60 Hz), 20"H<sub>2</sub>O (50 Hz)**

**MAX. AIR FLOW – 27 CFM (60 Hz), 23 CFM (50 Hz)**

### PRODUCT FEATURES

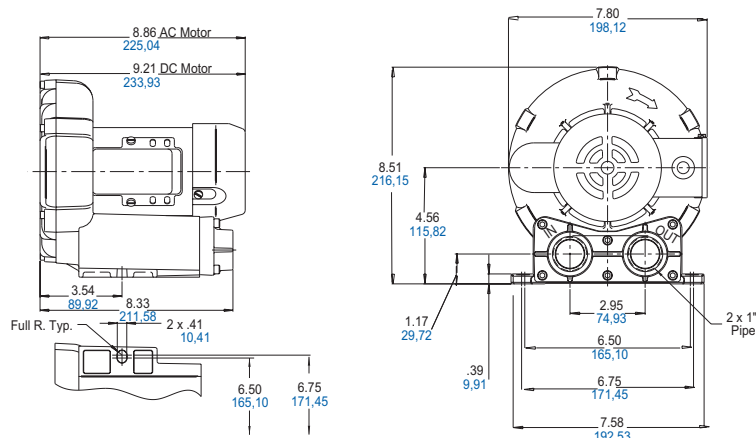
- Rugged construction, low maintenance
- Oilless operation
- UL and CSA approved TEFC motors with permanently sealed ball bearings
- Automatic restart thermal protection on single phase AC motors
- Estimated 3,000 hour brush life on 12 volt DC motor
- Can be operated with no air flow through unit.
- Aluminum blower housing, impeller and cover
- Can be mounted in any plane
- Inlet and outlet have internal muffling

### RECOMMENDED ACCESSORIES

- Pressure gauge AJ496
- Inlet Filter AJ126B (pressure)
- Vacuum gauge AJ497
- Inline filter AJ151A (vacuum)
- Muffler AJ121B
- K899 foam replacement kit for R1102

### Product Dimensions (in. mm)

**MODELS R1102,  
R1102C, R1102K,**





## Product Specifications

MODEL NUMBER		R1102	R1102C	R1102K
Motor Enclosure		TEFC	TEFC	TEFC
HP/kW	60 Hz	.125/0,09	.125/0,09	.125/0,09
	50 Hz	.10/0,07	-	-
Voltage	60 Hz	115/208-230-1	115-1	12V DC
	50 Hz	110/220-240-1	-	-
Amps	60 Hz	2.0/1.1-1.0	1.8	19 @ 12V DC
	50 Hz	2.0/1.1-1.0	-	-
Starting Amps	60 Hz	8.5 @ 115V	9.7	145 @ 12V DC
	50 Hz	8.6 @ 220V	-	-
Insulation Class		B	B	H
Recommended NEMA Starter Size		00/00	00	-
Net Weight (lbs/kg)		16/7,3	16/7,3	16/7,3

## Product Performance

