



R4P SERIES

MODELS R4P115, R4P315A

MAX. PRESSURE – 65"H₂O (60 Hz), 50"H₂O (50 Hz)

MAX. VACUUM – 60"H₂O (60 Hz), 45"H₂O (50Hz)

MAX. AIR FLOW – 127 CFM (60 Hz), 110 CFM (50 Hz)



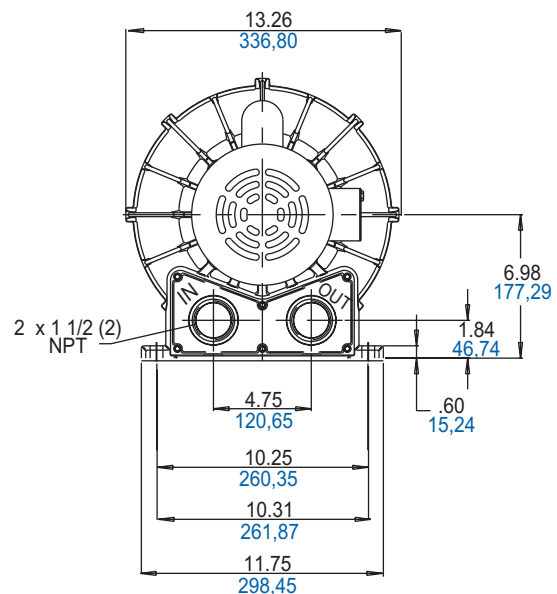
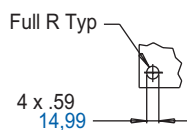
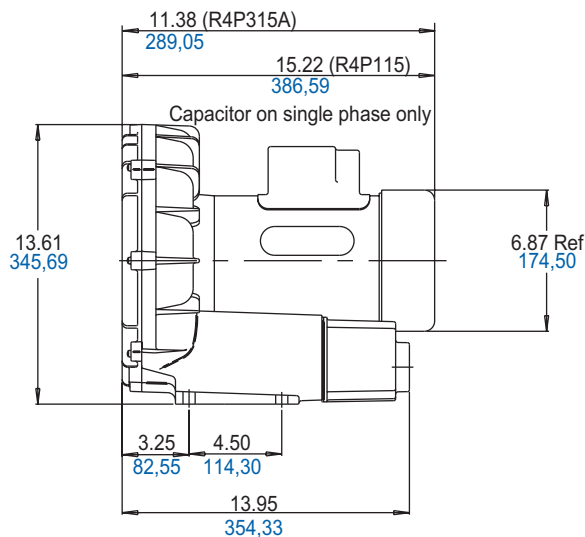
PRODUCT FEATURES

- Rugged construction, low maintenance
- Oilless operation
- UL and CSA approved TEFC motors with permanently sealed ball bearings
- Automatic restart thermal protection on single phase motors
- Aluminum blower housing, impeller and cover
- Can be mounted in any plane
- Inlet and outlet have internal muffling

RECOMMENDED ACCESSORIES

- Pressure gauge AE133
- Inlet filter AJ126D (pressure)
- Vacuum gauge AJ497
- Inline filter AJ151E (vacuum)
- Muffler AJ121D
- Relief valve AG258
- Liquid separator RMS200 (vacuum)
- Foam replacement kit K906

Product Dimensions (in. mm)





Product Specifications

MODEL NUMBER		R4P115	R4P315A
Motor Enclosure		TEFC	TEFC
HP/kW	60 Hz	1.5/1,1	1.5/1,1
	50 Hz	1.0/0,75	1.0/0,75
Voltage	60 Hz	115/208-230-1	208-230/460-3
	50 Hz	110/220-240-1	190-220/380-415-3
Amps	60 Hz	20.7/11.2-10.4	5.1-4.9/2.5
	50 Hz	16.0/8.0-9.3	3.9-4.3/1.9-2.0
Starting Amps	60 Hz	49 @ 230V	18.5 @ 460V
	50 Hz	72 @ 220V	19 @ 380V
Insulation Class		B	B
Recommended NEMA Starter Size		1/0	00/00
Net Weight (lbs/kg)		61/27,7	43/24,1

Product Performance

